

Ashtrays



ATE10 Ashtray

- Free Standing
- Stainless Steel Finish
- Hinged Lid

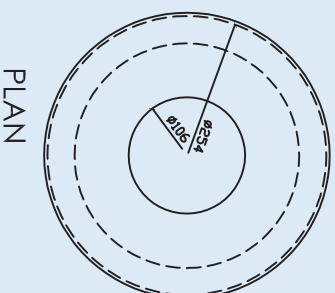
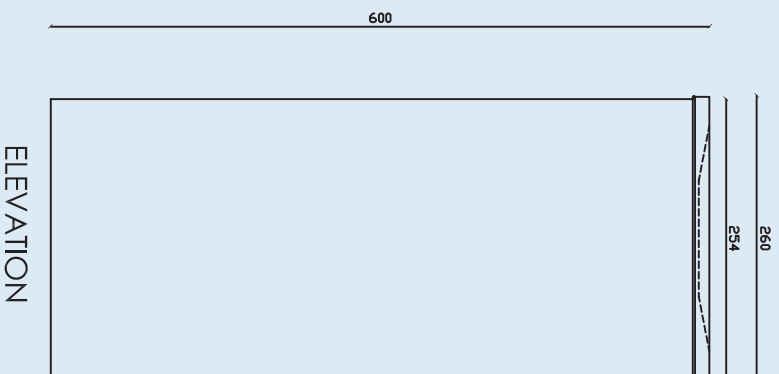
fel.
GROUP

fel. Group Limited
926 Great South Road
PO Box 12 430
Penrose Auckland 1642
New Zealand
T: +64 9 526 5660
F: +64 9 526 5661
www.felgroup.co.nz

- Fryco
- Street Furniture NZ
- Gough Plastics
- Landmark

ATE10 Ashtray

©Copyright of this drawing is the sole property of Fel. Group Ltd.



Ashtrays

fel.
G R O U P

fel. Group Limited
926 Great South Road
PO Box 12 430
Penrose Auckland 1642
New Zealand
T: +64 9 526 5660
F: +64 9 526 5661
www.felgroup.co.nz

Product Specifications

- 304 Stainless Steel Brushed Finish

- Fryco
- Street Furniture NZ
- Gough Plastics
- Landmark

Ashtrays



BE - Exterior Ashtray

Robust Functional Design

- Stainless Steel or Powdercoated Option
- Optional Weather Shroud
- Pole, Wall or Plant Mounted
- Ash Contained in Lockable Base Unit
- Empties Through Hinged Base Flap
- Complete with Smokers Labels
- Easy Hands Free Removal of Ash

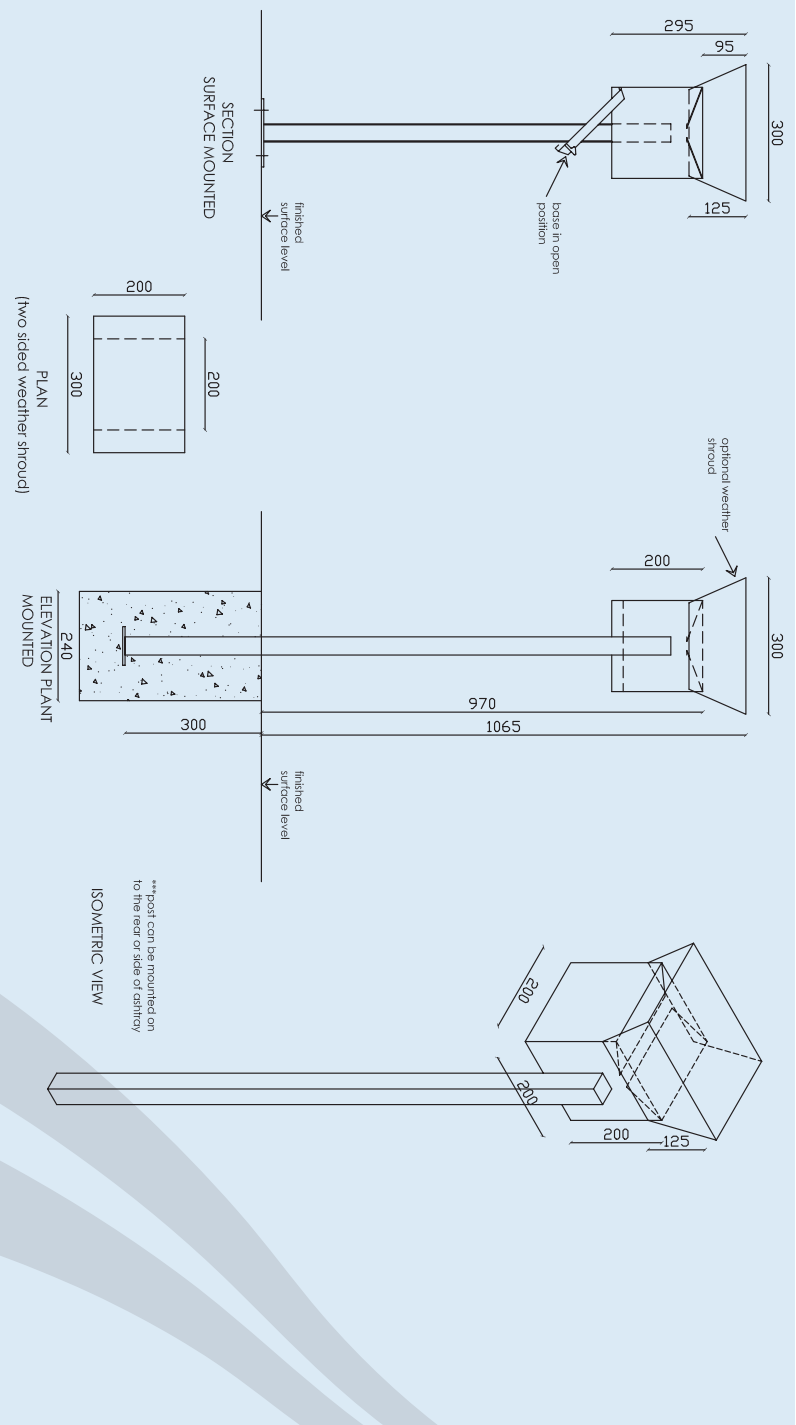
fel.
GROUP

fel. Group Limited
926 Great South Road
PO Box 12 430
Penrose Auckland 1642
New Zealand
T: +64 9 526 5660
F: +64 9 526 5661
www.felgroup.co.nz

- Fryco
- Street Furniture NZ
- Gough Plastics
- Landmark

BE - Exterior Ashtray

© Copyright of this drawing is the sole property of Fel. Group Ltd.



Product Specifications

- 304 Stainless Steel or Powdercoated Electroplated Mild Steel
- Fully Welded
- Hinge Base Flap with NZFS Lock
- Exterior Grade Polyester Powder Coat Finish
- Fasteners Stainless Steel

Ashtrays

fel.
GROUP

fel Group Limited
 926 Great South Road
 PO Box 12 430
 Penrose Auckland 1642
 New Zealand
 T: +64 9 526 5660
 F: +64 9 526 5661
www.felgroup.co.nz

- Fryco
- Street Furniture NZ
- Gough Plastics
- Landmark

Ashtrays



CA - Exterior Ashtray

Practical Solution to Suit All Situations

- 1.5 or 4.4ltr Capacity
- Wall and Post Mounting Options
- Powder Coated
- Ash is Contained in Lockable Base Unit, Allowing Easy Hands Free Removal
- Empties Through Base Flap
- Complete with Smokers Labels

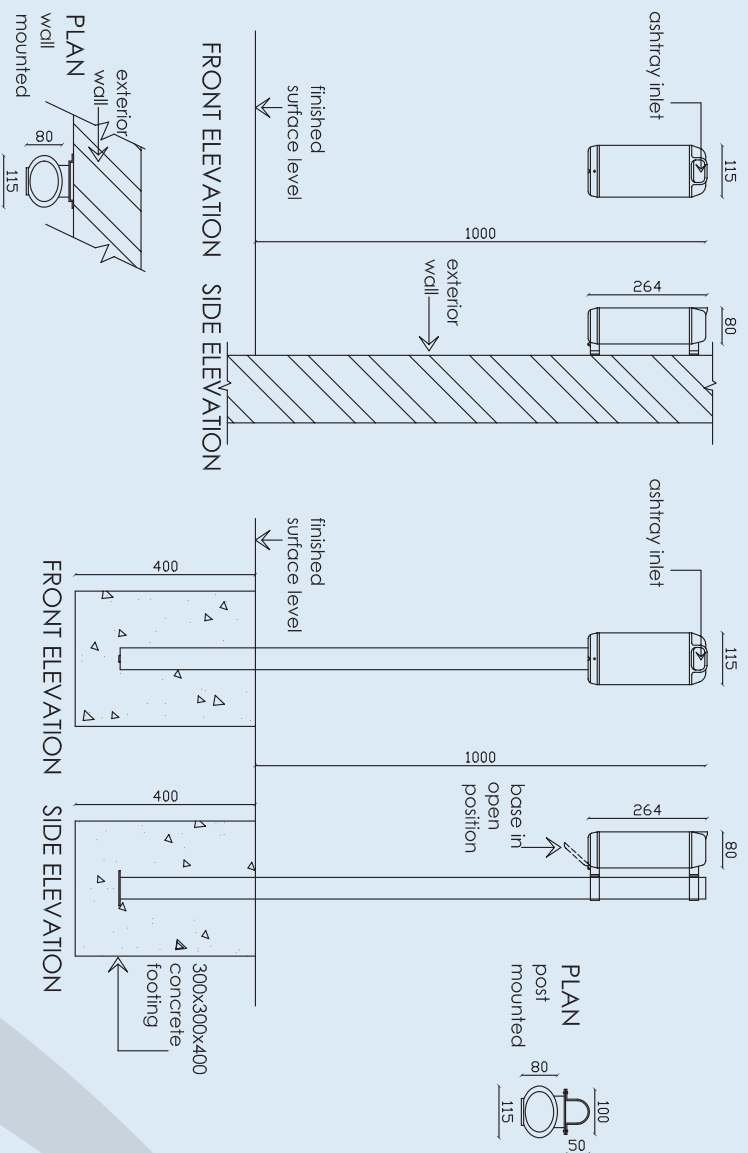
fel.
GROUP

fel. Group Limited
926 Great South Road
PO Box 12 430
Penrose Auckland 1642
New Zealand
T: +64 9 526 5660
F: +64 9 526 5661
www.felgroup.co.nz

- Fryco
- Street Furniture NZ
- Gough Plastics
- Landmark

CA - Exterior Ashtray

© Copyright of this drawing is the sole property of Fel. Group Ltd.



Product Specifications

- Aluminum Cast
- Exterior Grade Polyester Powder Coat Finish
- Fasteners Stainless Steel

Ashtrays

fel
G R O U P

fel Group Limited
926 Great South Road
PO Box 12 430
Penrose Auckland 1642
New Zealand
T: +64 9 526 5660
F: +64 9 526 5661
www.felgroup.co.nz

- Fryco
- Street Furniture NZ
- Gough Plastics
- Landmark

Ashtrays



FS - Exterior Ashtray

Durable Unit for All Situations

- Surface Mounted
- Suitable for Exterior or Interior Environments
- Powder Coated
- Ash Contained in Removable Tray
- Lockable Top
- Complete with Smokers Labels

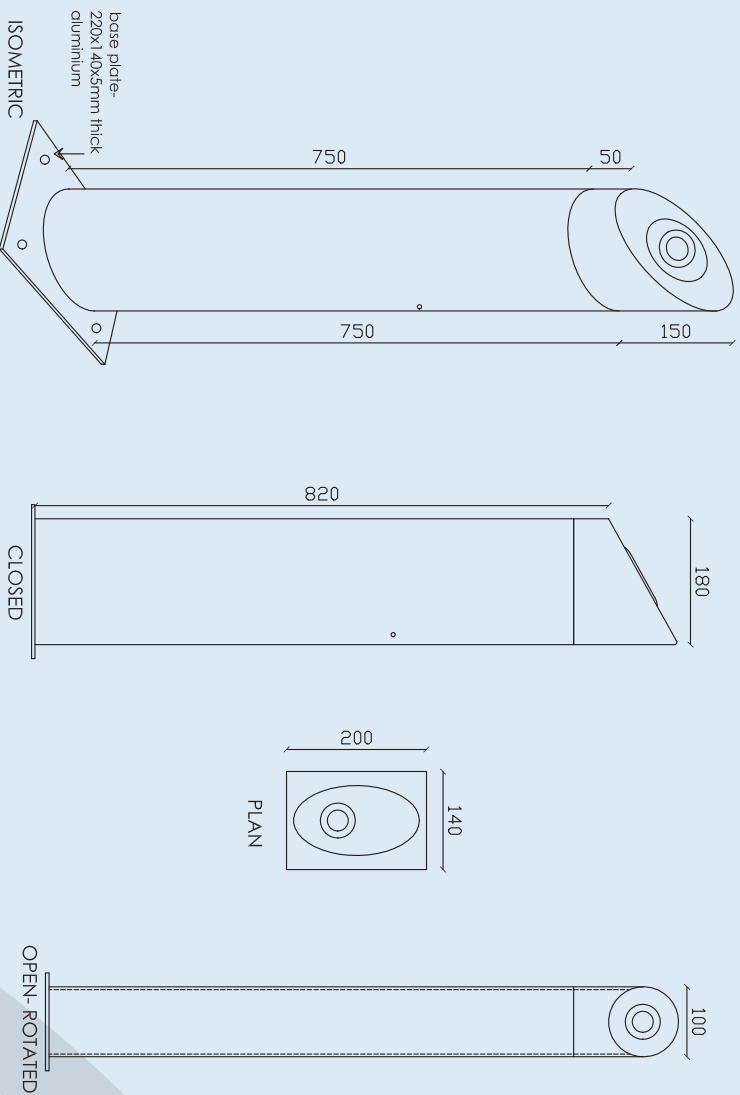
fel.
GROUP

fel. Group Limited
926 Great South Road
PO Box 12 430
Penrose Auckland 1642
New Zealand
T: +64 9 526 5660
F: +64 9 526 5661
www.felgroup.co.nz

- Fryco
- Street Furniture NZ
- Gough Plastics
- Landmark

FS - Exterior Ashtray

© Copyright of this drawing is the sole property of Fel. Group Ltd.



Product Specifications

- All Aluminum Construction
- Exterior Grade Polyester Powder Coat Finish
- Stainless Steel Lock Assembly
- Fasteners Stainless Steel

Ashtrays

fel.
G R O U P

fel Group Limited
926 Great South Road
PO Box 12 430
Penrose Auckland 1642
New Zealand
T: +64 9 526 5660
F: +64 9 526 5661
www.felgroup.co.nz

- Fryco
- Street Furniture NZ
- Gough Plastics
- Landmark

Ashtrays



SE - Exterior Ashtray Contemporary Wall Mounted Design

- 1.2 Litre Capacity
- Wall Mounted
- Stainless Steel
- Ash Contained in Lockable Base Unit
- Complete with Smokers Labels

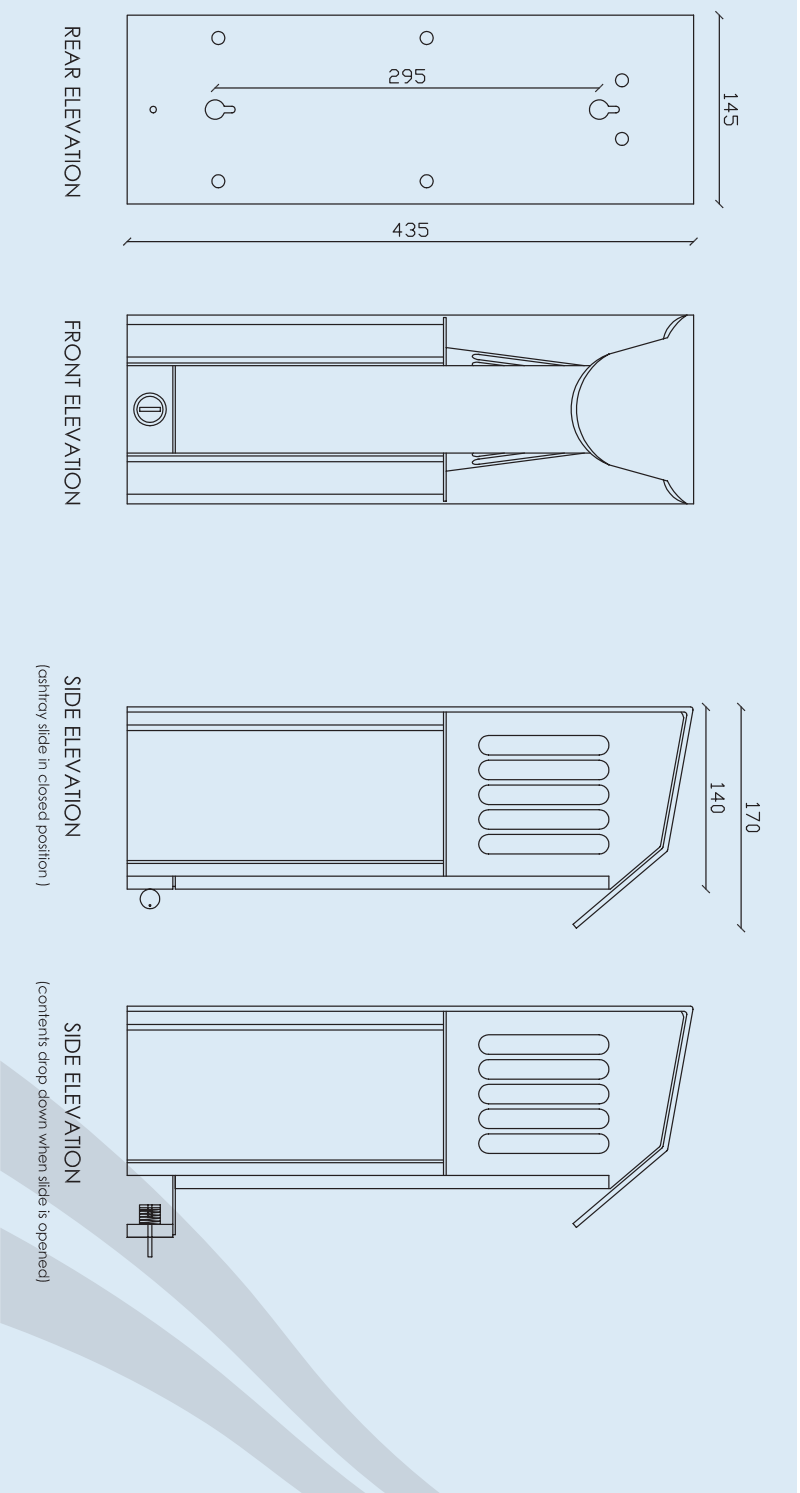
fel.
GROUP

fel. Group Limited
926 Great South Road
PO Box 12 430
Penrose Auckland 1642
New Zealand
T: +64 9 526 5660
F: +64 9 526 5661
www.felgroup.co.nz

- Fryco
- Street Furniture NZ
- Gough Plastics
- Landmark

SE - Exterior Ashtray

©Copyright of this drawing is the sole property of Fel. Group Ltd.



Product Specifications

- 316 Stainless Steel
- Clear Lacquer Finish for Stainless Steel
- Fasteners Stainless Steel

Ashtrays

fel.
G R O U P

fel. Group Limited
926 Great South Road
PO Box 12 430
Penrose Auckland 1642
New Zealand
T: +64 9 526 5660
F: +64 9 526 5661
www.felgroup.co.nz

- Fryco
- Street Furniture NZ
- Gough Plastics
- Landmark

Ashtrays



TE - Exterior Ashtray Solid Construction for Durability

- Stainless Steel Top
- Large Capacity Galvanised Ashtray
- Stainless Steel Body or Powdercoated Electroplated Mild Steel.
- Side Litter Option Available on TEAL
- Lockable
- Surface Mounted
- Complete with Labels

fel.
GROUP

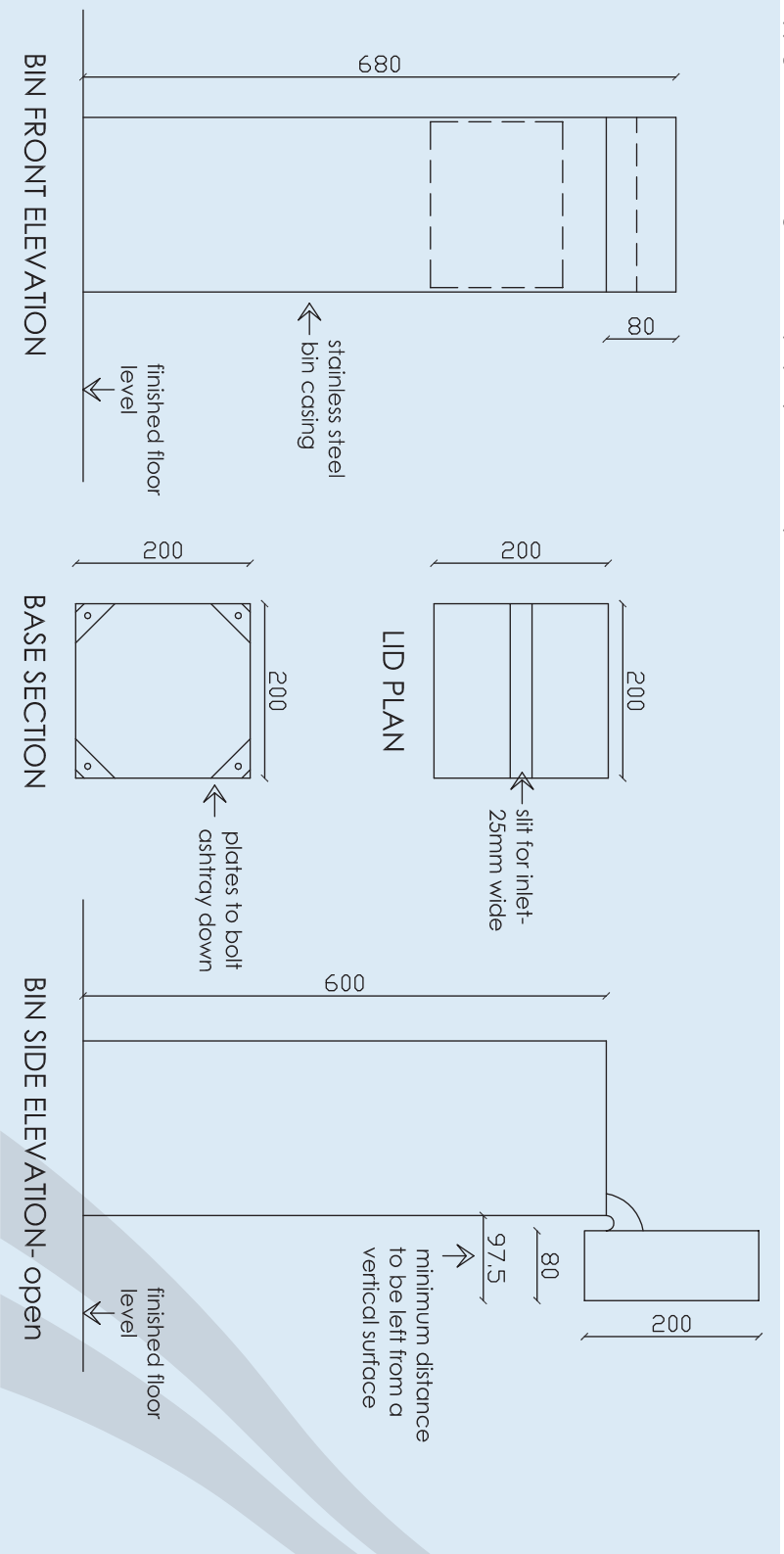
fel. Group Limited
926 Great South Road
PO Box 12 430
Penrose Auckland 1642
New Zealand
T: +64 9 526 5660
F: +64 9 526 5661
www.felgroup.co.nz

- Fryco
- Street Furniture NZ
- Gough Plastics
- Landmark

TE - Exterior Ashtray

©Copyright of this drawing is the sole property of Fel. Group Ltd.

Ashtrays



Product Specifications

- 304 Stainless Steel
- Fully Welded Construction
- Exterior Grade Polyester Powder Coat Finish
- Stainless Steel Plated Fasteners